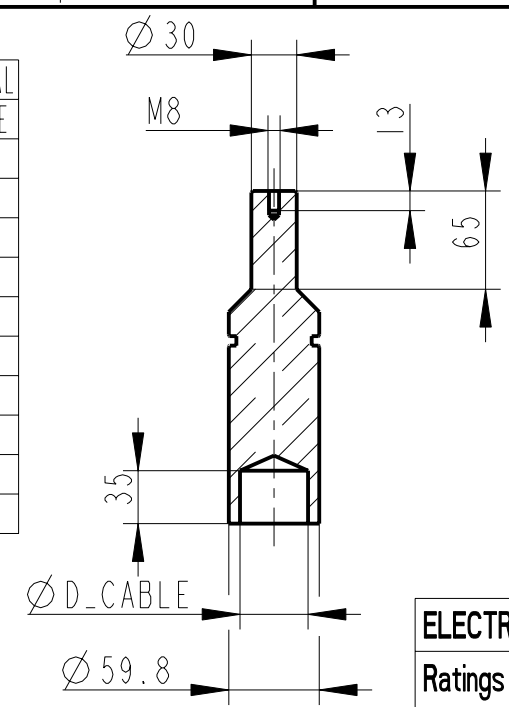


| | | | | |
|-----|-----|----------|------|-------|
| Rev | Ind | Revision | Appd | Date |
| 1 | | Redrawn | FS | 00 27 |

| CATALOGUE No | TERMINAL |
|--------------|----------|
| KATALOG Nr | D_CABLE |
| LF170084-A | 5.0 |
| LF170084-B | 11.0 |
| LF170084-C | 13.0 |
| LF170084-D | 15.0 |
| LF170084-E | 18.0 |
| LF170084-F | 30.0 |
| LF170084-G | 42.0 |
| LF170084-H | 45.0 |
| LF170084-I | 50.0 |
| LF170084-J | 54.0 |



| ELECTRICAL DATA, according to IEC 137 | | |
|---------------------------------------|---|---------|
| Ratings | Rated voltage | 245 kV |
| | Max phase to earth voltage, temporary | 245 kV |
| | Max current with Cu-conductor | 1600 A |
| | Max current with stranded cable 1200mm ² | 1250 A |
| | Dry lightning impulse | 1050 kV |
| | Chopped lightning impulse | 1210 kV |
| Routine test | Dry power frequency | 505 kV |
| Capacitance | Nominal capacitance | 248 pF |

| GENERAL DATA, according to IEC 137 | | |
|------------------------------------|--|--------------|
| Mass | Mass bushing | 46 kg |
| Cantilever load | Cantilever test load, heavy load | 4000 N |
| | Max cantilever operating load, bushing | 2000 N |
| Temp class | Temperature class | CLASS 2 |
| Mounting and service instructions | | 2750 515-138 |

| ELECTRICAL DATA, according to ANSI C57.19.00 | | |
|--|--|--------|
| Ratings | Insulation class | 196 kV |
| | Rated max. line to ground voltage | 146 kV |
| | Max current with Cu-conductor | 1600 A |
| | Max current with stranded cable 1295 mm ² | 1250 A |

ABB Components Ludvika, Sweden
 GSA245-00/1600/0.3 LF135245-EB

No. **Ur/Uy 245/245 kV Ir 1600 A 50/60 Hz**
LI / SI / AC 1050/-/1505 kV

M 46 kg L 810 mm V 0-90

C1 pF Tan δ x
C2 pF Tan δ x

Signatures acc. to Revision 0 are valid
 Signaturer enligt Revision 0 gäller

| | |
|--|-------------------------|
| Production engineering review J BERNER | Approved H JOHANSSON |
| Inspection engineering review K-E ANDERSSON | Revision |
| Design engineering review F PETRICI | |

| | | | |
|-------------------------|---------------------------------------|---|-----------------------|
| Based on | Reg. No. | Title OIL-OIL BUSHING GSA245-00/1600/0.3 | Language 82 |
| Prepared F STÄHLE | Responsible department COM/BK 9905 | | |
| Approved H JOHANSSON | Take over department | Database BUSHINGS | Page 1(1) |
| Revision | | | |
| ABB Components | | Document No. 2751365-EB | |

We reserve all rights in this document and in the information contained therein. Reproduction, use or disclosure to third parties without express authority is strictly forbidden. ©ABB

